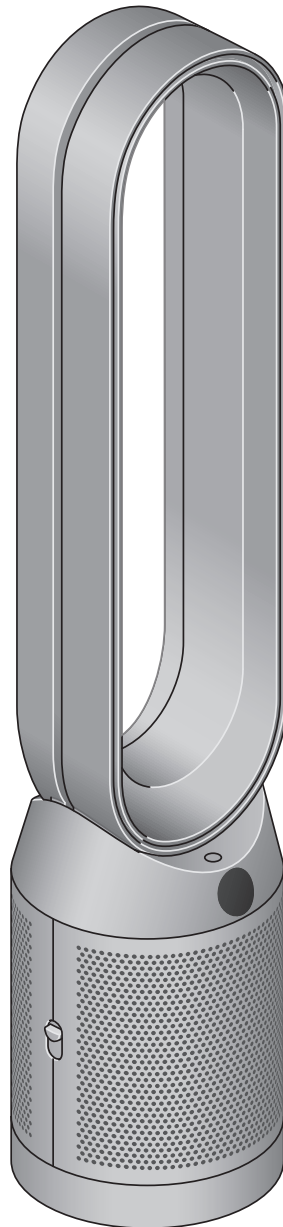


# dyson purifier cool gen1

Dyson Purifier Cool Gen1 logo

## User manual



Front view of the Dyson Purifier Cool Gen1 fan, showing the amplifier loop and mesh filter cover, screen below the loop amplifier and outer cover release button on the side.

SV12\_IN.00000\_PN.000000-00-00  
00.00.00 VERSION NO.01

---

### Contents

Assembling your machine

Getting started

Power and continuous monitoring

Information menu

Auto mode

Airflow speed

Oscillation

Night mode and Sleep timer

Changing your HEPA+Carbon filter

Resetting your HEPA+Carbon filter life

Looking after your machine

# Assembling your machine

Use both hands to lift your machine out of the box, by its base.

Do not lift out by the loop amplifier.

## Dyson Purifier Cool Gen1

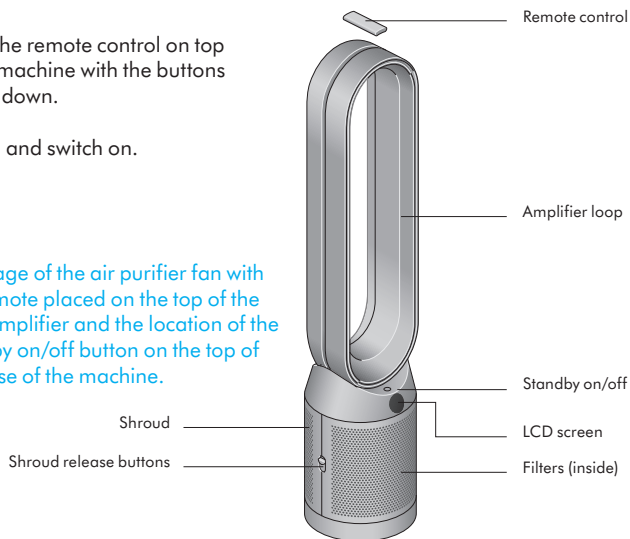
Supplied with a combined glass HEPA+Carbon filter.

## Getting started

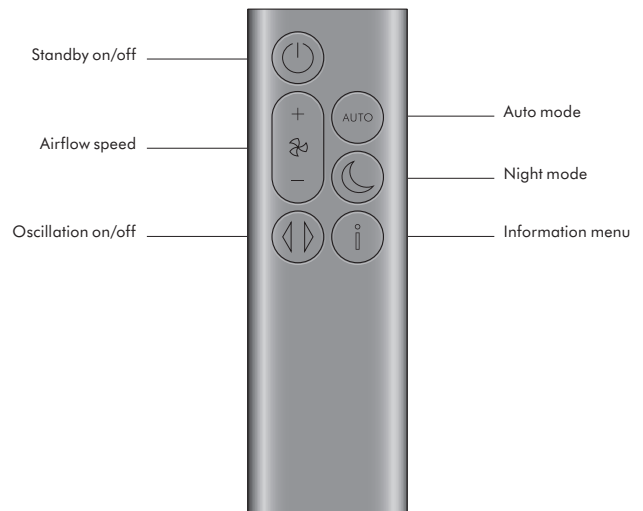
Place the remote control on top of the machine with the buttons facing down.

Plug in and switch on.

An image of the air purifier fan with the remote placed on the top of the loop amplifier and the location of the standby on/off button on the top of the base of the machine.



The layout of the remote control with the power button on the top left, the airflow speed toggle button in the middle left and the oscillation button on the bottom left. On the top right-hand side is the Auto mode button, then going downwards is the Night mode button and then the Information menu button at the bottom.



# Power and continuous monitoring

## **Stand-by on/off**

Press the Standby on/off button on your Dyson purifying fan or remote control to stop your machine. It will continue to monitor the air quality.

## **Continuous monitoring**

Continuous monitoring is turned off by default. Once turned on, it will always be active until you turn it off again.

With continuous monitoring turned on, your Dyson purifying fan will gather particulate matter information, which is displayed on the LCD screen.

## **Continuous monitoring**

Press and hold the Auto mode button on the remote control for 5 seconds to turn it on. The LCD screen will indicate when continuous monitoring is on or off.

# Information menu

Press this button to scroll through the information being monitored by your Dyson purifying fan.

Information about particulate matter and filter levels is shown on the LCD screen.

When a particular type of pollutant causes air quality to decrease, a symbol for the pollutant will show on the LCD screen.



The remote control with the information button on the bottom right.

## Indoor particulate matter – 12 seconds

Monitors the current particulate matter with a graph showing the last 12 seconds of data.



## Particulate matter (PM10)

Larger microscopic particles up to 10 microns in size, suspended in the air we breathe. These include dust, mould and pollen.



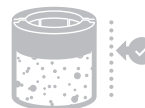
## Particulate matter (PM2.5)

Microscopic particles up to 2.5 microns in size, suspended in the air we breathe. These include smoke, bacteria and allergens.



## Filters

The remaining filter life is shown on the LCD screen and will indicate when your filters need replacing.



# Auto mode

Set your Dyson purifying fan to Auto mode and the on-board sensors will intelligently adjust the settings of the machine according to the air quality.

**Air quality:** your machine will pause when the target air quality has been reached, switching on again when the air quality levels drop.

**Airflow speed:** the airflow speed will increase until the target air quality has been reached.

The remote control with the Auto mode button above the Night mode button on the top right.



# Airflow speed

Press the Airflow speed button to increase and decrease the airflow speed.

The remote control with the Airflow speed toggle button on the left hand side, in the middle.



# Oscillation

Press the Oscillation button to circulate the air around the room and scroll through the oscillation settings from 0° to 350°.

The remote control with the oscillation button on the bottom left.



# Night mode and Sleep timer

In Night mode, your Dyson purifying fan will continue to monitor and respond to changes, but only using its quietest settings – and with its LCD screen dimmed.

Press the Night mode and Sleep timer button to scroll through the timer options.

The remote control with the Night mode and Sleep timer button on the right hand side, in the middle, above the Information menu button.



# Changing your HEPA+Carbon filter

Before changing your filter, switch off and unplug your Dyson purifying fan.

The remaining filter life is displayed on the screen and will indicate when your non-washable filters need replacing. Press the Information button on your remote.

You'll need to reset the filter life on your machine.

## Dyson Purifier Cool Gen1

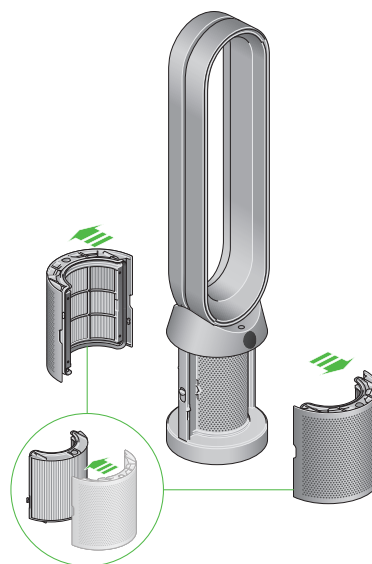
Supplied with a HEPA+Carbon filter.

To change your HEPA+Carbon filter, push down on the buttons either side of your machine to release the outer cover. Push down on the tabs to remove the filter.

Push the replacement filter into the outer cover and make sure the tabs click into place.

Put the outer covers into position on your machine and push firmly until they both click securely into position.

Plug in and switch your machine, and reset your filter life.



The air purifier fan with the filter covers open showing a HEPA plus carbon filter located in the filter covers. Arrows demonstrate that the filter covers will need to be assembled onto the base of the machine.

---

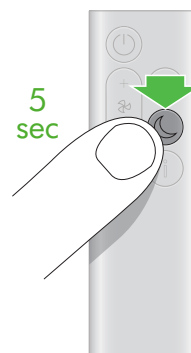
# Resetting your HEPA+Carbon filter life

It's important to reset your filter life after you have replaced your filter.

## Resetting your HEPA+Carbon filter life

Press and hold the Night mode button on your remote control.

The display on your machine will countdown from five, the filter life will be reset and your machine is ready to use.



Pressing the Night mode and Sleep timer button on the middle right of the remote control, above the Information menu button for 5 seconds.

# Looking after your machine

To always get the best performance from your Dyson purifying fan, it's important to regularly clean it and check for blockages.

## **Cleaning your machine**

If your machine is dusty, wipe with a damp lint-free cloth.

Look for blockages in the air inlet holes on the filter and the small aperture inside the loop amplifier.

Use a soft brush to remove dust and debris.

Don't use detergents or polishes to clean your machine.

## **Error codes**

If your machine shows an error code, try turning it off and then on again. If this doesn't clear the error code contact Dyson Customer Care.

For more information and support for your machine go online:  
<https://www.dyson.com.sg/dyson-support>