

Contents

In the box

Getting started

Charging your machine

Emptying your bin

Cleaning your bin

Clearing blockages

Washing filter A

Washing filter B

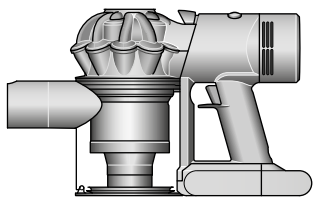
Clearing blockages from your Mini
motorised tool

Cleaning your tools

Looking after your machine

In the box

Your machine will come with these tools.



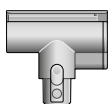
Vacuum cleaner



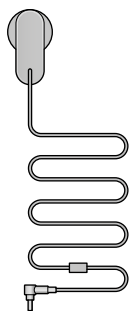
Combination tool
Two tools in one – wide nozzle and brush, for quick switching between cleaning and dusting tasks around your home or car.



Crevice tool
Engineered for precise cleaning around tricky edges and into hard-to-reach narrow spaces.

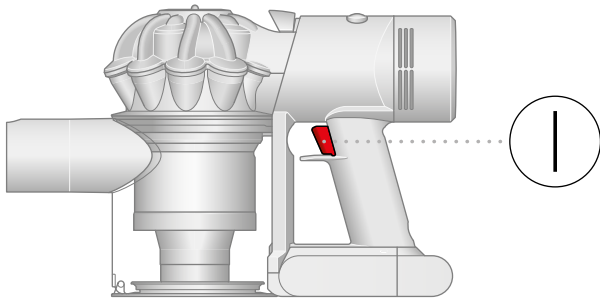


Mini motorised tool
Motorised brush bar, concentrated in a smaller head to remove stubborn dirt from mattresses, upholstery and stairs.

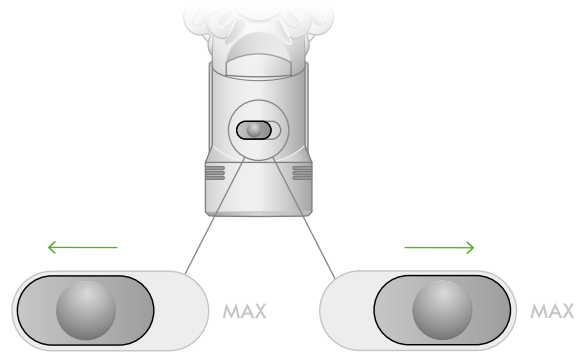


Charger
Charges your vacuum.

Getting started

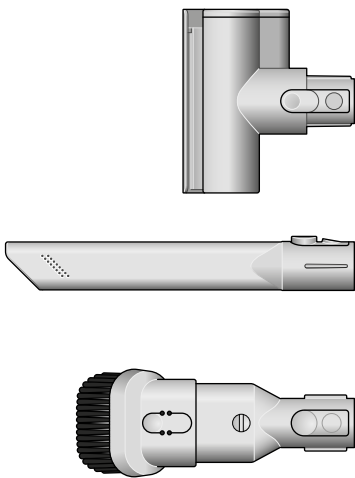


Pull trigger to start cleaning

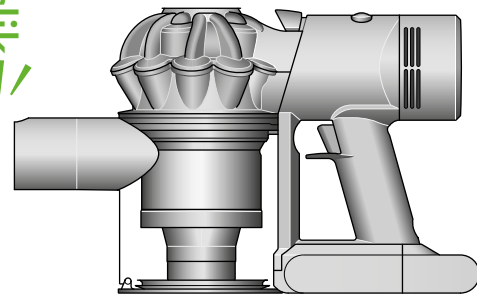


Two power modes

Toggle between Powerful mode – for longer suction – and MAX mode, for stronger suction. Just hold down the trigger and slide the control back and forth.



click



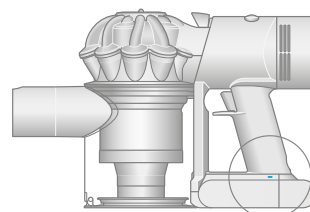
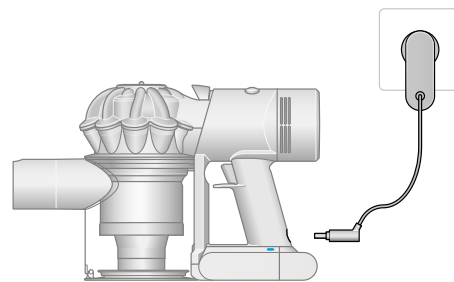
Switch accessories quickly

The quick-release tools click into place, and release in moments by simply depressing the release switch.

Charging your machine

Connect your machine to the charger and fully charge before first use.

A full charge will take approximately 4.5 hours. While your battery is charging, the LEDs will flash with the current level of charge. These lights will turn off once your machine is fully charged.



Battery LEDs

During use, high charge.



During use, medium charge.



During use, low charge.



Empty.



Charging LEDs

Charging, low charge.



Charging, medium charge.



Charging, nearly full.



Fully charged.



Battery fault.

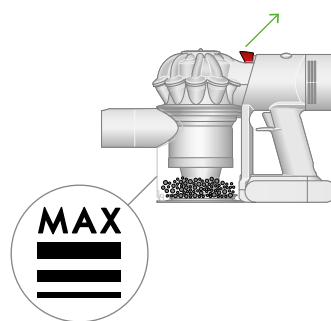


Charger fault.



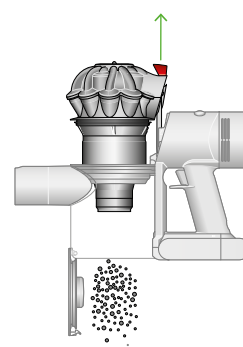
Emptying your bin

Empty as soon as the dirt reaches the MAX level – don't overfill. Using your machine when the dirt is above the MAX line may affect the performance and require more frequent filter washing.



Release the dirt

Hold your machine over the bin and pull the bin release catch upwards. The cyclone will slide up and the bin base will open.



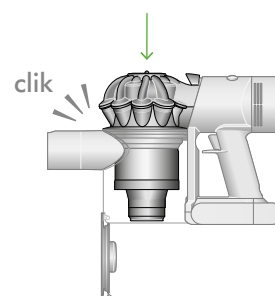
Minimise dust contact

Cover your bin tightly in a dustproof bag while you empty. Remove the bin carefully, seal the bag tightly and dispose.

Close the bin

Push down on the cyclone until it slides into position.

Push the bin base upwards until it closes securely.



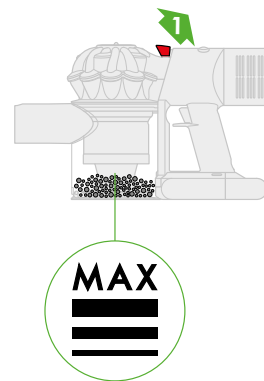
Cleaning your bin

Empty your bin as soon as the dirt reaches the MAX mark.
You may need to clean the filter more often if you use your machine with a full bin.

Empty your bin

Remove any tools from your machine.

Hold your machine over a bin and pull the bin release catch upwards.
The cyclone will slide up and the bin base will open.



Remove the cyclone

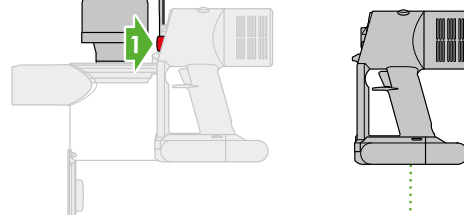
Pull the bin release catch upwards. The cyclone will slide up and the bin base will open.

Locate the cyclone release button behind the cyclone and push to remove the cyclone from your machine.



Remove the bin

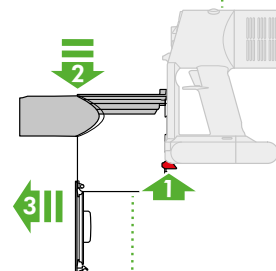
Pull back on the red catch located on the base, slide the bin down and pull it off your machine.



Clean the bin

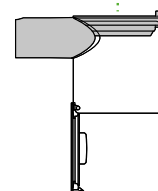
Wipe your bin with a damp, lint-free cloth. Don't put the bin in a dishwasher or use detergents, polishes or air fresheners.

Make sure the bin is completely dry before replacing.



Replace the bin

Align the tabs on the bin with the grooves on the main body and slide it upwards until it clicks into place.



Replace the cyclone

Slide the cyclone into the grooves of the main body and push down until it is in position.

Push the bin base up until it clicks firmly shut.

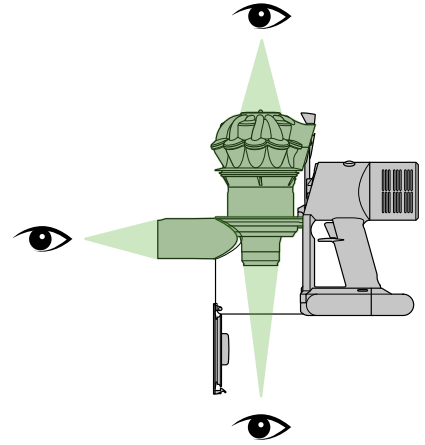
Clearing blockages

Your machine is fitted with an automatic cut-out. If any part of it is blocked, your machine's motor will pulse and won't function until the blockage has been cleared.

Disconnect your machine from the charger before looking for blockages. Be careful not to touch the trigger and be aware of sharp objects.

Leave your machine to cool down before looking for blockages.

Don't use your machine when looking for blockages as this could cause injury.

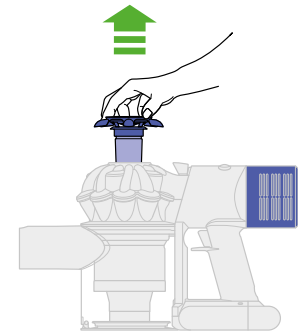


Washing filter A

Remove your filter

Lift the filter out of the top of the cyclone.

Tap to remove excess dust and debris.

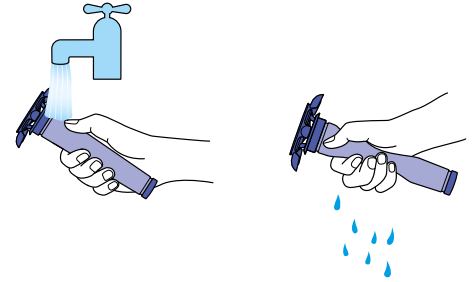


Wash your filter

Hold the filter under a running tap, until the water runs clear.

Tap the filter to remove excess water.

Squeeze and twist with both hands to make sure the excess water is removed.

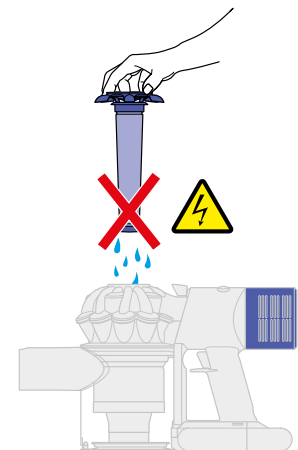
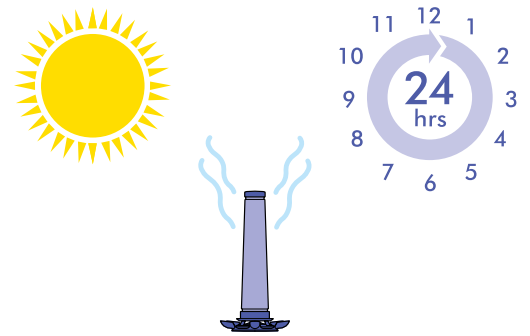


Dry your filter

Leave your filter to dry completely, for at least 24 hours in a well-ventilated, warm place.

Do not dry your filter in a tumble-dryer or near a naked flame.

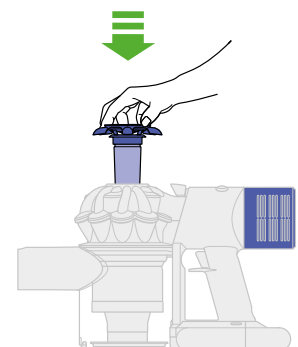
Important: your filter must be completely dry before you put it back into the machine. Your machine could be damaged if used with a damp filter.



Refit your filter

Align the arrow on the top of the filter with the bin release button.

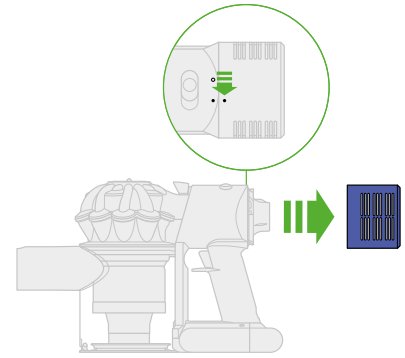
Push down to fit securely in place.



Washing filter B

Twist off your filter

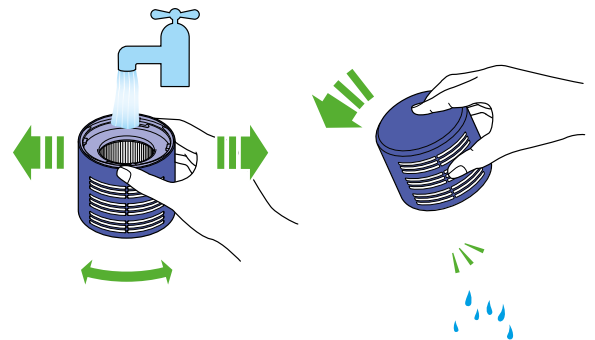
Twist your filter anti-clockwise and pull it away from your machine.



Wash your filter

Wash the inside of the filter under cold, running water, rotating the filter to make sure all the inside is clean.

Repeat until the water runs clear.



Shake out the water

Empty the filter and shake firmly to remove excess water.

Keep shaking it until there's no water coming from the filter.

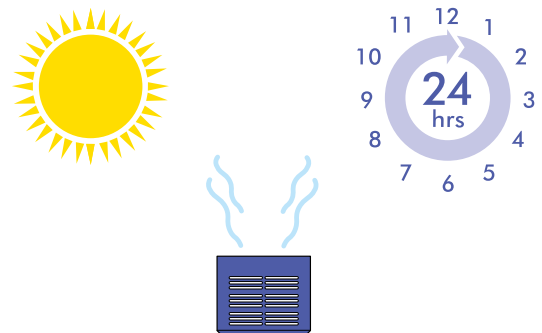
Dry your filter

Place your filter, with the open end facing up, to dry.

Leave your filter to dry completely, for at least 24 hours in a well-ventilated, warm place.

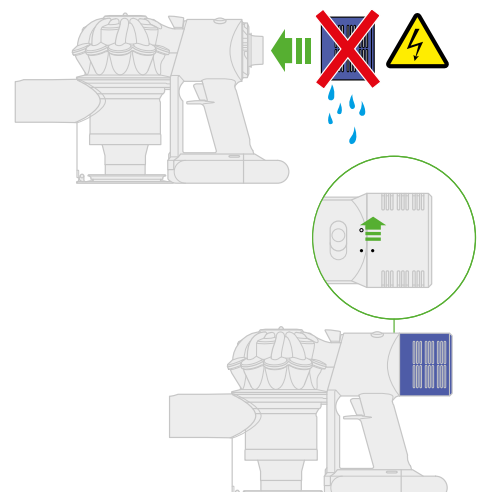
Do not dry your filter in a tumble-dryer or near a naked flame.

Important: your filter must be completely dry before you put it back into the machine. Your machine could be damaged if used with a damp filter.



Replace your filter

Place your filter on your machine, aligned in the open position. Twist clockwise until it clicks securely into position.



Clearing blockages from your Mini motorised tool

Your Mini motorised tool doesn't have a washable brush bar. To maintain optimum performance, check your brush bar regularly and clear any obstructions.

Make sure your machine is disconnected from the charger and take care not to touch the trigger.

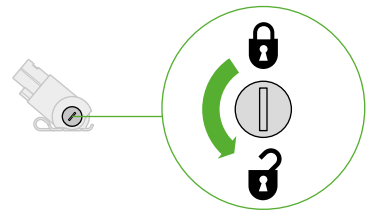
Remove your brush bar

Don't put any part of your machine in a dishwasher or use detergents, polishes or air fresheners.

Use a coin to unlock the end cap.

Twist the end cap and remove it from your brush bar. Don't wash the end cap.

Slide your brush bar out of the cleaner head.

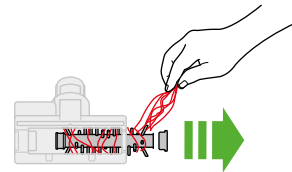


Look for obstructions

Clear any debris from your brush bar.

Check inside the cleaner head and remove any debris or blockages.

Your Mini motorised tool and brush bar aren't washable. Wipe over with a damp lint-free cloth and ensure completely dry before refitting.

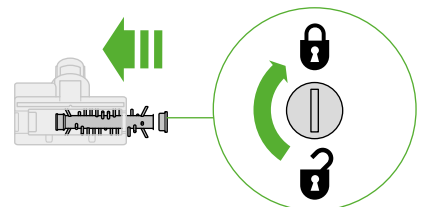


Replace your brush bar

Push the end cap back on to your brush bar and slide it back into the cleaner head.

Turn the end cap into the locked position.

Your cleaner head isn't washable and should only be wiped over with a damp lint-free cloth.



Cleaning your tools

Don't put any part of your machine in a dishwasher or use detergents, polishes or air fresheners.

Wipe with a damp, lint-free cloth, without touching the connector end.

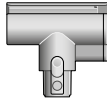
Make sure your tools are completely dry before using.



Combination tool



Crevice tool



Mini motorised tool

Looking after your machine

To always get the best performance from your machine, it's important to clean it regularly and check for blockages.

Look after your machine

If your machine is dusty, wipe with a damp lint-free cloth.

Check for blockages in the cleaner head, tools and main body of your machine.

Wash your filter regularly and leave to dry completely.

Don't use detergents or polishes to clean your machine.

Look after your battery

To get the best performance and life from your battery, use Powerful suction mode.

Your machine won't operate or charge if the ambient temperature is below 5°C (41°F). This is designed to protect both the motor and battery.

Your serial numbers

You can register your machine using the serial number found on the bottom of your machine.

You can find your serial numbers on your machine, battery and charger. Use your serial number to register.